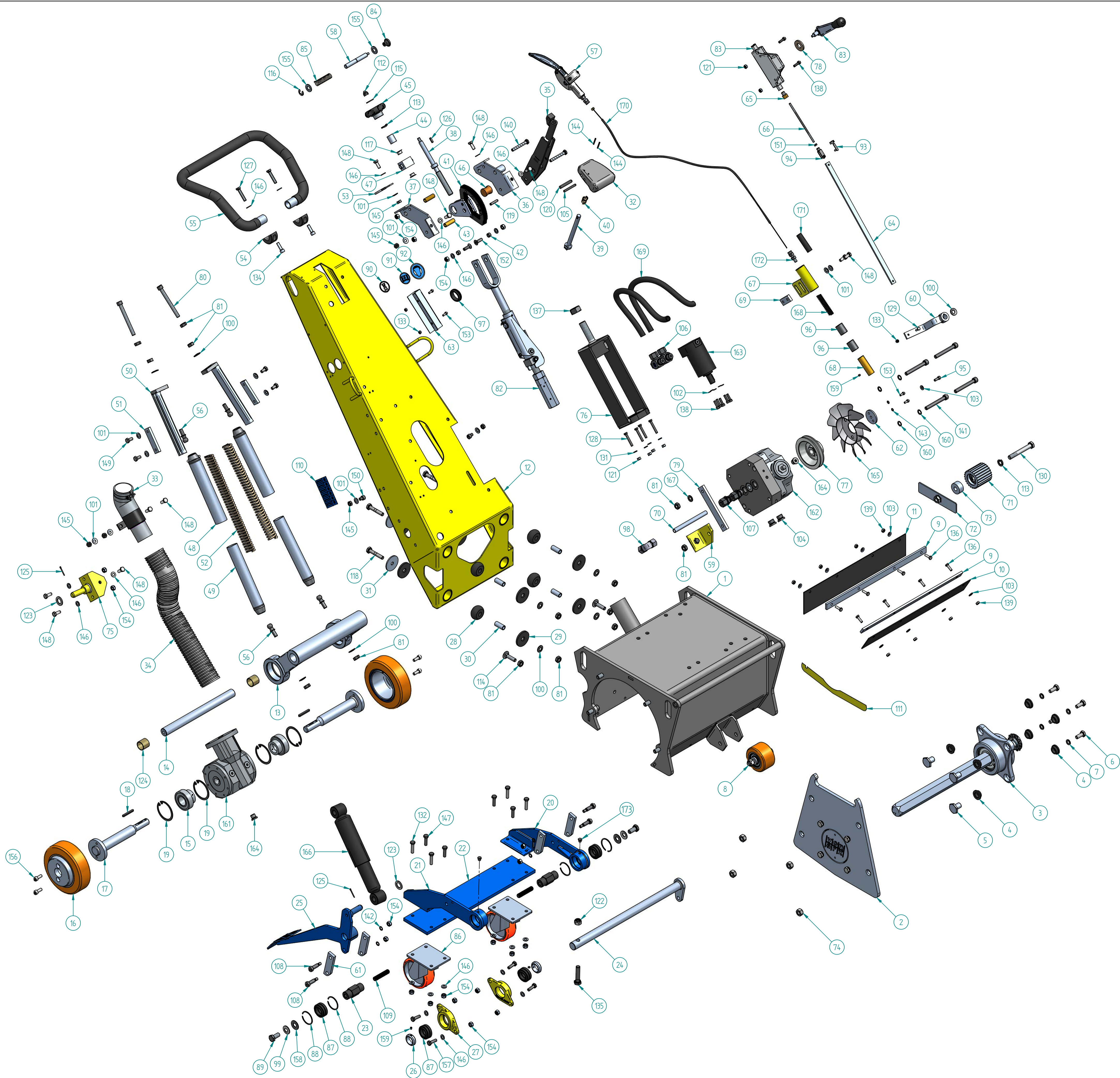


TOLERANCES acc. to ISO / TR 15001
 Dimensions where no tolerance is indicated
 are in millimeters and in inches
 are necessary for assembly: see 2D and 3D
 for details / for instructions see 2D and 3D
 before using the tool for the first time
 for maintenance see 2D and 3D





THE INFORMATION CONTAINED IN THIS DRAWING IS THE SOLE PROPERTY OF VON ARX. EOOD REPRODUCTION IN PART OR WHOLE WITHOUT THE WRITTEN PERMISSION OF VON ARX EOOD IS PROHIBITED.

Material		Dimension	
Drawn By GS	Date 12/09/2018	Approved Date 27/05/2020	Approved By MS
Units : mm		SIZE A1	
		Description VA-30SH BASIC DEVICE	Article Number 707230
		DWG NO 668.00.00e	
Part/Assembly File 6680000.asm		Sheet 1	of 2
		Rev. e	

TOLERANCES acc. to ISO / TOLERANSEER ENL. ISO
 Applicable where no tolerance is indicated.
 Gteller dr tolerans  direkt utsatts
 For machining / For bearbejning ISO 2768-mk
 For welding / For svtning ISO-DIN ISO 13920-BF
 Surface finish acc. to ISO 15002 Machined surfaces
 Ytjmhet enligt ISO 15002 For bearbetade ytor

Item	Artikelnummer	Document Number	Title	Quantity	Item	Artikelnummer	Document Number	Title	Quantity	Item	Artikelnummer	Document Number	Title	Quantity
125	108325	BN 912 25x22	SPLIT PIN	2	63	707211	668.02.04	COVER	1	1	702612	655.0101d	HOUSING VA 30 S	1
126	107990	BN_870_4x4x16	SPRING KEY	1	64	707212	668.02.06	MECH. SETTING DEVICE VA 30 SH	1	2	702803	655.31.00	HOUSING COVER ASSEMBLED VA30-S	1
127	107938	BN_56_M8x40	HEXAGONAL SCREW	2	65	707213	668.02.07a	GUIDING BUSH	1	3	709816	655.32.01	DRIVE SHAFT PREASSEMBLED	1
128	107923	BN 56 M6x40	HEXAGON HEAD SCREW	4	66	707214	668.02.08a	TUBE DE CONNECTION	1	4	702624	655.01.14a	RUBBER MOUNTING	8
129	107912	BN_56_M5x16	HEXAGON HEAD SCREW	1	67	707215	668.02.09a	HOUSING FOR DEADMAN UNIT	1	5	702625	655.01.15a	CLAMPING SLEEVE	4
130	107870	BN_57_M12x90	HEXAGONAL SCREW	1	68	707216	668.02.10	PIN FOR DEAD MAN UNIT	1	6	101607	BN_56_M10x25	HEXAGON HEAD SCREW	4
131	107358	BN_721_M6	WASHER	4	69	707250	668.21.09	THREADED PLATE VA 30 SH	1	7	113263	BN_65212_M10	NORD-LOCK LOCKING WASHER	4
132	106706	BN_56_M8x35	HEXAGON HEAD SCREW	4	70	707327	668.02.17	HYDR. TUBE	1	8	109377	630.01.24	FRONT WHEEL COMPL.	1
133	106665	BN_161_M5	SAFETY NUT	3	71	707522	668.00.01a	BELT TENSIONER PULLEY 24-8M-50	1	9	702619	655.01.08	CLAMPING STRIP	2
134	105923	BN_3_M8x25	ALLEN SCREW	2	72	702618	655.01.07c	FASTENING BRACKET	1	10	702620	655.01.09	DUST APRON	1
135	104384	BN 56 M12x55	HEXAGON HEAD SCREW	1	73	702622	655.01.11	SPACER BUSHING FOR FR 350, VA	1	11	702621	655.01.10	DUST APRON BENOLA	1
136	104267	BN_56_M6x20	HEXAGONAL SCREW	8	74	702623	655.01.12	NUT FOR HOUSING COVER	4	12	707204	668.02.01d	HANDLE BAR VA 30 S HYDR.	1
137	103504	BN 117 M20	HEXAGONAL NUT	1	75	706836	652.02.10a	CLIP ANGLE VA 30 SH	1	13	707205	668.02.12	WHEEL BALANCE FOR VA 30 S HYDR	1
138	103196	BN_3_M6x20	HEXAGON SOCKET HEAD CAP SCREW	7	76	706805	651.03.01a	ATTACHMENT FOR MOTOR VA 30-SH	1	14	701626	630.02.03	AXLE FOR WHEEL BALANCE	1
139	102334	BN_117_M6	HEXAGONAL NUT	8	77	707073	658.01.57c	GEAR UNIT PULLEY VA 30 SH	1	15	113111	651.01.08	BALL BEARING	2
140	102330	BN_57_M8x60	HEXAGON HEAD BOLT	2	78	707202	658.01.60	DISC FOR ADJUSTING LEVER	1	16	706804	651.01.07c	BACK WHEEL	2
141	102314	BN 7 M10x80	HEXAGON SOCKET HEAD CAP SCREW	4	79	706911	658.01.25	THREADED PLAT VA 30 SH	1	17	706801	651.01.03c	2-PIECE WHEEL AXLE	2
142	102286	BN_792_M8	SAFETY WASHER	4	80	110284	BN_7_M10x100	ALLEN SCREW	2	18	106462	BN_870_6x6x45	KEY	2
143	102285	BN_792_M5	SAFETY WASHER	2	81	102287	BN_117_M10	HEXAGONAL NUT	14	19	103871	BN_822_D62	SAFETY RING	4
144	101873	DIN 7346 3x26	DOWEL PIN	2	82	706806	651.03.00	DEAD MAN DEVICE ASSEMBLY	1	20	706519	652.02.01f	BRACKET LEFT	1
145	101822	BN_117_M8	HEXAGONAL NUT ~0.8D	9	83	113115	651.22.28	ADJUSTING LEVER 46.67 LC	1	21	706520	652.02.02f	BRACKET RIGHT VA30-SH /	1
146	101670	BN_715_M8	WASHER	23	84	703056	665.74.14	HANDLE WITH BLIND HOLE ELESA	1	22	706521	652.02.03a	BRACKET CONNECTION	1
147	101602	BN 56 M8x30	HEXAGON HEAD SCREW	4	85	703055	665.74.13	COMPRESSION SPRING	1	23	706522	652.02.04	STUD BOLT VA30-SH/ VA25-S TWIN	2
148	101600	BN_56_M8x20	HEXAGONAL SCREW	11	86	112561	652.02.12	STEERING ROLLER	2	24	706523	652.02.05a	SHAFT VA30-SH/ VA25-S TWIN	1
149	101599	BN_56_M8x16	HEXAGONAL SCREW	4	87	112560	792.75.48	BEARING	4	25	706525	652.02.07g	LEVER VA 30-SH / VA25-S TWIN	1
150	101595	BN_3_M8x10	ALLEN SCREW	2	88	108736	792.62.37	SPRING RING	4	26	706526	652.02.08a	ADJUSTING RING VA30-SH	2
151	100611	BN_117_M5	HEXAGONAL NUT	1	89	105910	BN_56_M12x25	HEXAGON HEAD SCREW	2	27	706527	652.02.09b	FLANGE HOUSING VA 30-SH / DTF	2
152	100605	BN M8x25 8.8	COUNTER SUNK SCREW	2	90	708794	625.01.36	ADHESIVE "NO HOUSEHOLD WASTE"	1	28	702643	655.02.11	RUBBER SPRING	4
153	100594	BN_3_M5x12	ALLEN SCREW	4	91	112562	788.42.66	STICKER "INFO"	1	29	702644	655.02.12	RUBBER DISC	8
154	100263	BN_161_M8	SAFETY NUT	23	92	701669	630.02.47	STICKER AUDITORI PROTECTION	1	30	702645	655.02.13	DISTANCE TUBE	4
155	100129	BN_715_M12	WASHER	2	93	115638	BN 484 5x20	FORK HEAD PIN	1	31	702646	655.02.14	DISC	4
156	100598	BN_3_M8x20	ALLEN SCREW	4	94	115632	BN 482 G 5x20	FORK HEAD	1	32	706791	665.08.30a	HANDLE VA 30 S + VA 25 S TWIN	1
157	109668	BN 56 M8x25	HEXAGON HEAD SCREW	4	95	114797	BN 13 1/4x5/8	HEXAGON SOCKET HEAD CAP SCREW	1	33	702653	655.04.10	LINK JOINT	1
158	108552	BN_735_M12	WASHER	2	96	114729	668.02.19	BEARING	2	34	702675	655.04.04	SUCTION TUBE	1
159	108102	BN 25 M5x8	HEXAGON SOCKET SET SCREW	3	97	114666	792.75.97	CABLE GLAND	1	35	703007	665.08.06c	ADJUSTING LEVER	1
160	111721	BN_791_M10	RIBBED LOCK WASHER	4	98	114297	668.02.16	ANGLE FITTING	1	36	703008	665.08.07	BEVELLED PROFIL LEFT	1
161	706800	651.01.02	GEAR	1	99	113920	BN_13292_M12	RIP-LOCK LOCKING WASHER	2	37	703009	665.08.08	BEVELLED PROFIL RIGHT	1
162	114295	668.02.14	REGULATING PUMP LD 0-7.6 CCM	1	100	113919	BN_13292_M10	SAFETY WASHER	9	38	703010	665.08.09	ADJUSTING SPINDLE	1
163	114294	668.02.13	HYDRAULIC MOTOR VA 30 SH	1	101	113918	BN_13292_M8	RIP-LOCK LOCKING WASHER	15	39	703012	665.08.11	RETAINING ROD	1
164	113171	BN 20435 M14x15	LOCKING SCREW	2	102	100616	BN_792_M6	SAFETY WASHER SCHNORR®	5	40	701637	630.02.14a	PRESSURE SPRING	1
165	706814	651.22.06	FAN WHEEL VA 30 SH / DTF	1	103	113917	BN_13292_M6	RIP-LOCK LOCKING WASHER	9	41	703013	665.08.12f	TOOTHED ELEMENT VA30-S/VA30-SH	1
166	113172	652.02.11	SHOCK ABSORBER	1	104	113369	BN 44 M18x15	HEXAGON SOCKET SCREW PLUG	2	42	703014	665.08.13a	CLAMPING TUBE	2
167	106300	BN_715_M10	WASHER	1	105	113165	DIN 6325 6x50	PARALEL PIN DIN 6325 6x50	1	43	703015	665.08.14a	TUBE	2
168	114630	668.74.01	COMPRESSION SPRING	1	106	113127	WH12LRCF	ANGLE SWIVELLING SCREW EO+	2	44	703016	665.08.15	TUBE	1
169	114296	668.02.15	HOSE PREMOUNTED	1	107	113126		THREADED JOINT EO+	2	45	703017	665.08.16a	HANDLE	1
170	702926	656.46.02	BOWDEN SPIRAL $\phi = 4.8 \times 2.7$ MM	1	108	112565	BN 1359 10x25	HEXAGON SOCKET HEAD SCREW	4	46	703018	665.08.17a	DRIVER	1
171	112635		HEAT SHRINKABLE TUBE	0.06	109	112563	BN 24 M12x60	WORM PIN	2	47	703019	665.08.18a	SQUARE PART	1
172	109475	656.74.05	ADJUSTING SCREW	1	110	112450		SICKER - DIF.CUTTERS-	1	48	703022	665.08.22a	SPRING ROUTING TOPSIDE	2
173	112562		LUBRICATING NIPPLE	2	111	111727		STRIPE BAND -DANGER-	1	49	703023	665.08.23a	SPRING ROUTING BELOW VA30-S/	2
174	108042	792.65.01	FORK WRENCH	1	112	111621	BN_167_M8	SAFETY HAT NUT	1	50	703024	665.08.24b	ADJUSTING PROFILE	2
175	108046	792.65.03	FORK WRENCH	1	113	110537	BN_762_M12	SPRING RING	2	51	703025	665.08.25a	BRACKET	2
176	703576	788.42.63	STICKER VON ARX LOGO	1	114	110391	BN_248_M10x40	ROUNDHEAD SCREW WITH NUT FOR V	2	52	703027	665.08.27	PRESSION SPRING VA30S+25S TWIN	2
177	706409	644.03.04	SET OF SPARE PARTS FOR "S" TYPE	1	115	110389	BN_729_M8	SPACER WITHOUT CHAMFER	1	53	703028	665.08.28a	ROPE GUIDE	1
178	707321	668.42.01	STICKER VA-30 SH	1	116	110388	BN_810_10	SAFETY WASHER FOR SHAFTS	1	54	702636	655.02.04c	CLAMPING RING	2
179	703005		PLATES FOR VA 25 S / VA 30 S /	1	117	110386		GLACIER DP4-BEARING	2	55	706152	665.08.29b	BOW-TYPE HANDLE FOR VA 25 S TW	1
180	900074		MOLYKOTE BR2 PLUS	0.01	118	110372	BN 57 M10x55	HEX. HEAD SCREW BN 57	4	56	110390	BN_486_K16_Sw13_M10	BALL STUD IN C SHAPE	4
181	115647		STRIPE BAND LABEL Nr:6021	1	119	110288	BN 874 6x30	SPIRAL SPRING PIN	1	57	706415	656.03.00	OPERATING LEVER	1
182	900031		ZIPPED NAYLON BAG 17 X 23	1	120	108857	BN 858 8 x 50 h6	PARALEL PIN	1	58	706093	665.08.05	PIN	1
183	900042		LOCTITE 243	0.01	121	108693	BN_161_M6	SAFETY NUT	6	59	707207	668.02.02	MOUNTING BRACKET VA 30 SH	1
184	111180		STICKER "WARNING CUTTER SHAFT"	1	122	108682	BN_161_M12	SAFETY NUT	1	60	707208	668.02.03a	PUMP OPERATING LEVER VA 30 SH	1
185	900018		LABEL SWISS DESIGN	1	123	108559	BN_726_M16	WASHER	2	61	707209	668.02.05a	BRACKET VA 30 SH	4
					124	108486		CILINDRICAL BUSH	2	62	707210	668.02.11	LOCKING DISQUE VA 30 SH	1

THE INFORMATION CONTAINED IN THIS DRAWING IS THE SOLE PROPERTY OF VON ARX. EXACT REPRODUCTION IN PART OR WHOLE WITHOUT THE WRITTEN PERMISSION OF VON ARX IS PROHIBITED.

Material		Dimension	
Drawn By GS	Date 12/09/2018	Approved Date 27/05/2020	Approved By MS
Units : mm		SIZE A2	
		Description VA-30SH BASIC DEVICE	
		Article Number 707230 DWG NO 668.00.00e	
Part/Assembly File 6680000.asm		sheet 2	of 2
			
		Rev. e	

Rev. No	Revision description	Date	Sign
e	Fastening screws for vulkolan tyres changed from 16 to 20mm.	27/05/2020	MS