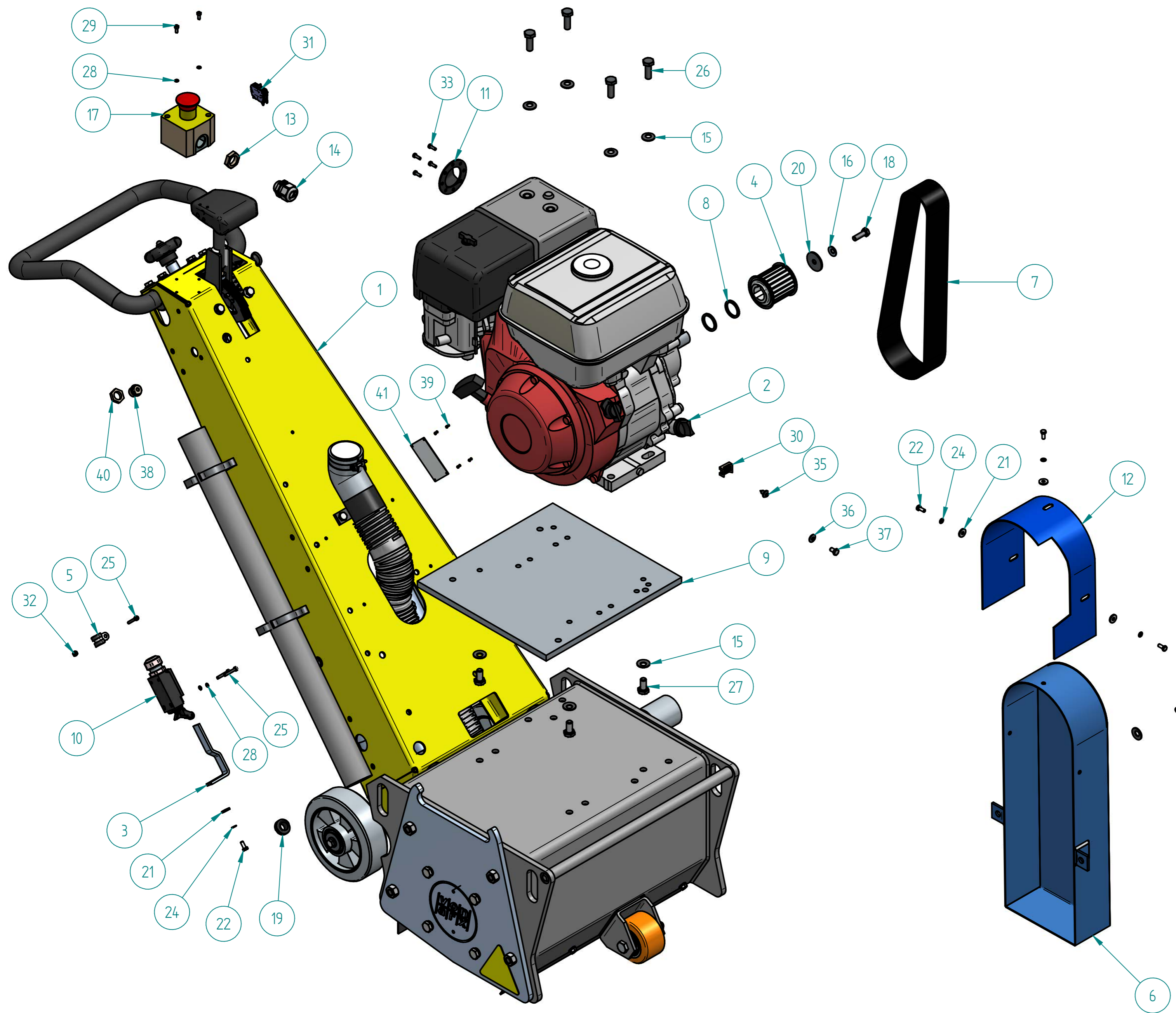


TOLERANCES acc. to ISO / TOLERANSEER ENL. ISO
 Applicable where no tolerance is indicated.
 Giltler där tolerans ej direkt utsett
 For machining / For bearbejning ISO 2768-mk
 For welding / For svejning SS-EN ISO 13920-BF
 Surface finish acc. to ISO 15022 Machine surfaces
 Yttemått enligt ISO 1302. For bearbetade ytor.



Item	Artikelnummer	Document Number	Title	Quantity
1	703001	665.00.00d	VA-30S BASIC DEVICE	1
2	709303	630.26.02	GASOLINE ENGINE HONDA VA 30	1
3	703037	665.09.08a	BEVELLED PROFIL FOR SWITCH	1
4	702783	655.26.02b	TOOTHED DISC	1
5	702747	655.21.08	PIPE CLAMP WITH PROTECTION	1
6	702742	655.21.03b	BELT GUARD	1
7	702401	653.21.03	TOOTHED BELT 920-8MGT3-50	1
8	701598	630.01.40	WASHER	2
9	702755	655.22.02	ENGINE MOUNTING PLATE	1
10	706365	665.32.00	POSITION SWITCH	1
11	701790	630.26.05	DEFLECTOR FOR HONDA	1
12	706202	655.23.04	ADDITIONAL BELT GUARD TO VA 30	1
13	114880		COUNTER NUT M20 PLASTICS	1
14	114813		SCREWED CABLE GLAND M20 PLAST	1
15	113919	BN_13292_M10	SAFETY WASHER	10
16	113918	BN_13292_M8	RIP-LOCK LOCKING WASHER	1
17	110942	791.80.04	CASING EMERGENCY STOP	1
18	109668	BN 56 M8x25	HEXAGON HEAD SCREW	1
19	109046	791.46.54	CABLE RETAINER	1
20	108581	BN_732_M8	WASHER WITHOUT CHAMFER	1
21	108573	BN_733_M5	WASHER	4
22	106374	BN_56_M5x12	HEXAGONAL SCREW	4
23	102289	BN_56_M10x16	HEXAGON HEAD SCREW	2
24	102285	BN_792_M5	SAFETY WASHER	4
25	102271	BN_3_M4x25	ALLEN SCREW	3
26	101608	BN_56_M10x30	HEXAGONAL SCREW	4
27	100614	BN_56_M10x20	HEXAGONAL SCREW	4
28	100615	BN_792_M4	SAFETY WASHER	4
29	101590	BN_3_M4x10	ALLEN SCREW	2
30	116783	BN 20275 TM3S25-C	SOCLE ASSEMBLE T+E	1
31	111749		CONTACT TO EMERGENCY SHUTDOWN	1
32	108692	BN_161_M4	SAFETY NUT	1
33	103332	BN 330 M4x12	SLOTTED CHEESE HEAD MACHINE SCREW	4
34	115650	665.00.05	STICKER "WARNING CUTTER SHAFT"	1
35	900049	BN 14064 6.3x13	PAN HEAD TAPPING SCREW	1
36	113917	BN_13292_M6	RIP-LOCK LOCKING WASHER	1
37	107919	BN_56_M6x10	HEXAGONAL SCREW	1
38	115136		SELF-SEALING GROMMET	1
39	108214		POP RIVET TAP/D320	4
40	115137		COUNTER NUT M16	1
41	703559	788.42.31c	TYPE PLATE	1
42	110890		SCOTCHLOK 3M	1
43	111181		STICKER 50MM	1
44	111183		STICKER "WARNING HOT SURFACE"	1
45	703556		STICKER	1
46	900000		CABLE TIE 280X3,5, NATURAL	4
47	700603		TUBE MOLYKOTE BR2 PLUS	0,005
48	900018		LABEL SWISS DESIGN	1
49	109332		CABLE STRAPS	4
50	703555		ADHESIVE RED "ATTENTION"	1
51	709394		ADHESIVE RED "CAUTION"	1

THE INFORMATION CONTAINED IN THIS DRAWING IS THE SOLE PROPERTY OF VON ARX. EOOD. REPRODUCTION IN PART OR WHOLE WITHOUT THE WRITTEN PERMISSION OF VON ARX. EOOD. IS PROHIBITED.

Material		Dimension	
Drawn By GS	Date 13/05/2019	Approved Date 16.01.2020	Approved By MS
Units : mm		SIZE A2	
		Description VA-30 S WITH GASOLINE ENGINE	Article Number 703046
		DWG NO 665.23.00e	
Part/Assembly File 6652300.asm		sheet of 1 1	Rev. e