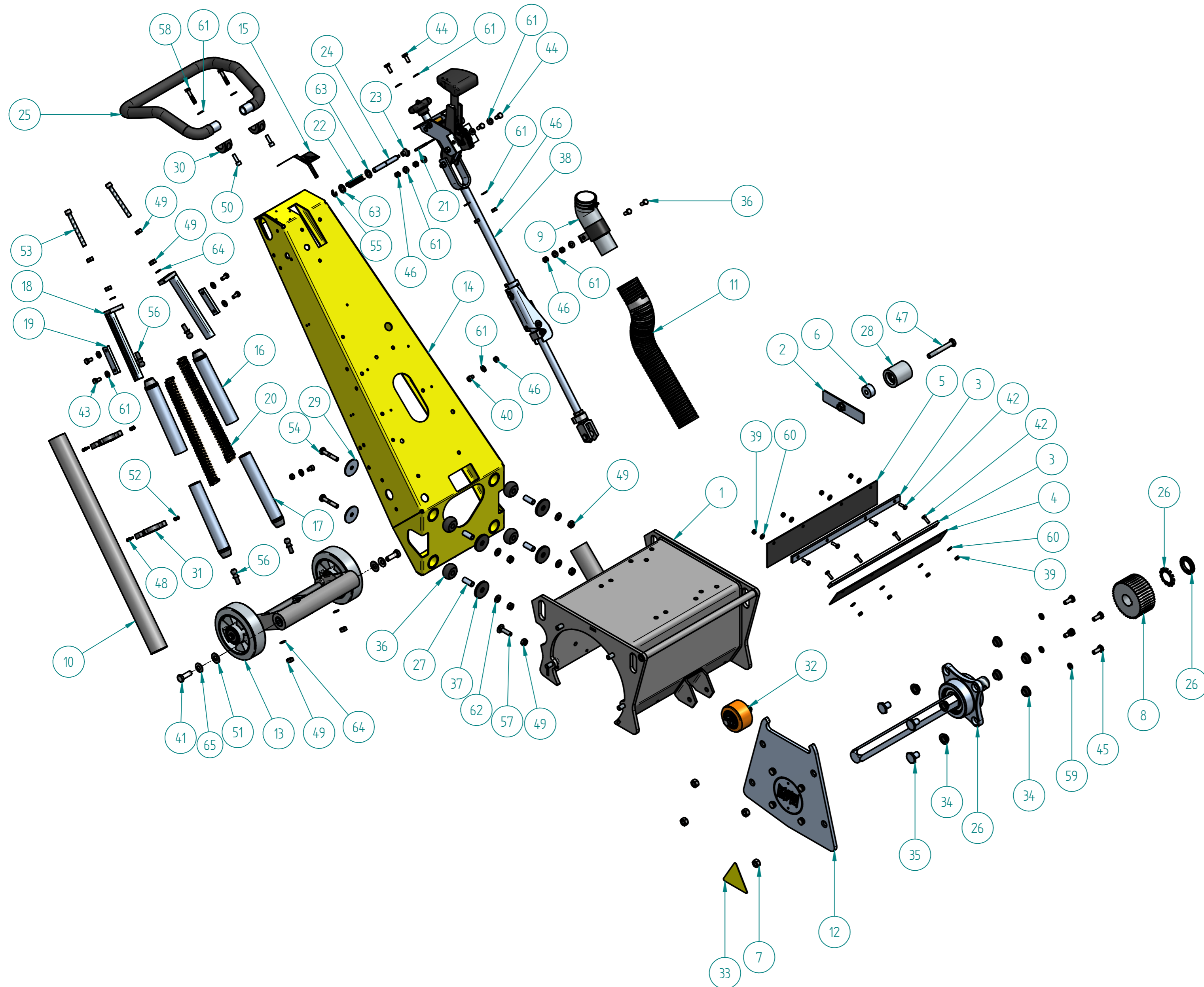


TOLERANCES acc. to ISO / TOLERANSEN ent. ISO  
 Applicable where no tolerance is indicated.  
 Gültig für Toleranzen bei direkt gefertigten  
 For machining / For bearbeitung ISO 2768-mS  
 For welding / For schweißen DIN ISO 13920-BF  
 Surface finish acc. to ISO 1502 Machine surfaces  
 Oberflächenstruktur ISO 1302. For bearbeitete Oberflächen



Item	Artikelnummer	Document Number	Title	Quantity
1	702612	655.0101d	HOUSING VA 30 S	1
2	702618	655.0107c	FASTENING BRACKET	1
3	702619	655.0108	CLAMPING STRIP	2
4	702620	655.0109	DUST APRON	1
5	702621	655.0110	DUST APRON BENOLA	1
6	702622	655.0111	SPACER BUSHING FOR FR 350, VA	1
7	702623	655.0112	NUT FOR HOUSING COVER	4
8	702631	655.0121	TOOTHED PULLEY	1
9	702653	655.04.10	LINK JOINT	1
10	702673	655.04.02c	SUCTION TUBE	1
11	702675	655.04.04	SUCTION TUBE	1
12	702803	655.3100	HOUSING COVER ASSEMBLED VA30-S	1
13	702806	655.3700	CHASSIS VA30-S ASSEMBLED	1
14	703003	665.08.01o	HANDLE BAR	1
15	703005	665.08.03	PLATES FOR VA 25 S / VA 30 S /	1
16	703022	665.08.22a	SPRING ROUTING TOPSIDE	2
17	703023	665.08.23a	SPRING ROUTING BELOW VA30-S/	2
18	703024	665.08.24b	ADJUSTING PROFILE	2
19	703025	665.08.25a	BRACKET	2
20	703027	665.08.27	PRESSION SPRING VA30S+25S TWIN	2
21	703028	665.08.28a	ROPE GUIDE	1
22	703055	665.74.13	COMPRESSION SPRING	1
23	703056	665.74.14	HANDLE WITH BLIND HOLE ELESIA	1
24	706093	665.08.05	PIN	1
25	706152	665.08.29b	BOW-TYPE HANDLE FOR VA 25 S TW	1
26	709816	655.32.01	DRIVE SHAFT PREASSEMBLED	1
27	702645	655.02.13	DISTANCE TUBE	4
28	702184	635.0151	BELT TENSIONING ROLLER	1
29	702646	655.02.14	DISC	4
30	702636	655.02.04c	CLAMPING RING	2
31	108458	792.64.95	SPRING CLAMP	2
32	109377	630.0124	FRONT WHEEL COMPL	1
33	111180	665.00.04	STICKER "WARNING CUTTER SHAFT"	1
34	702624	655.01.14a	RUBBER MOUNTING	8
35	702625	655.01.15a	CLAMPING SLEEVE	4
36	702643	655.02.11	RUBBER SPRING	4
37	702644	655.02.12	RUBBER DISC	8
38	706100	665.10.00d	ADJUSTMENT AND DEAD MAN DEVICE	1
39	102334	BN_117_M6	HEXAGONAL NUT	8
40	101595	BN_3_M8x10	ALLEN SCREW	2
41	101611	BN_56_M12x35	HEXAGON HEAD SCREW	2
42	104267	BN_56_M6x20	HEXAGONAL SCREW	8
43	101599	BN_56_M8x16	HEXAGONAL SCREW	4
44	101600	BN_56_M8x20	HEXAGONAL SCREW	6
45	101607	BN_56_M10x25	HEXAGON HEAD SCREW	4
46	101822	BN_117_M8	HEXAGONAL NUT ~0.8D	8
47	107870	BN_57_M12x90	HEXAGONAL SCREW	1
48	101590	BN_3_M4x10	ALLEN SCREW	4
49	102287	BN_117_M10	HEXAGONAL NUT	12
50	105923	BN_3_M8x25	ALLEN SCREW	2
51	108552	BN_735_M12	WASHER	2
52	108692	BN_161_M4	SAFETY NUT	4
53	110284	BN_3_M10x100	HEXAGON SOCKET HEAD CAP SCREW	2
54	110372	BN_57_M10x55	HEX. HEAD SCREW BN 57	4
55	110388	BN_810_10	SAFETY WASHER FOR SHAFTS	1
56	110390	BN_486_K16_SW13_M10	BALL STUD IN C SHAPE	4
57	110391	BN_248_M10x40	ROUNDHEAD SCREW WITH NUT FOR V	2
58	110392	BN_57_M8x40	HEXAGONAL SCREW	2
59	113263	BN_65212_M10	NORD-LOCK LOCKING WASHER	4
60	113917	BN_13292_M6	RIP-LOCK LOCKING WASHER	8
61	113918	BN_13292_M8	RIP-LOCK LOCKING WASHER	18
62	113919	BN_13292_M10	SAFETY WASHER	4
63	100129	BN_715_M12	WASHER	2
64	103335	BN_792_M10	SAFETY WASHER	4
65	113920	BN_13292_M12	RIP-LOCK LOCKING WASHER	2
66	108042	792.65.01	FORK WRENCH	1
67	108046	792.65.03	FORK WRENCH	1
68	111727		STRIPE BAND -DANGER-	0.9
69	112450		SICKER - DIF.CUTTERS-	1
70	900018		LABEL SWISS DESIGN	1
71	115647		STRIPE BAND LABEL Nr:6021	1
72	701669		STICKER AUDITORI PROTECTION	1
73	703054	665.42.01	STICKER VA-30S	1
74	703576		STICKER VON ARX LOGO	1
75	706129		STICKER "INFO"	1
76	706409		SET OF SPARE PARTS FOR "S"TYPE	1
77	708794		ADHESIVE "NO HOUSEHOLD WASTE"	1
78	900074		MOLYKOTE BR2 PLUS	0.005
79	900031		ZIPPED NAYLON BAG 17 X 23	1

Material		Dimension	
Drawn By GS	Date 04/04/2019	Approved Date 16.12.2019	Approved By MS
Units : mm		SIZE A2	
		Description VA-30S BASIC DEVICE	
		Article Number 703001 DWG NO 665.00.00d	
Part/Assembly File 6650000.asm		sheet of 1 1	Rev. d

THE INFORMATION CONTAINED IN THIS DRAWING IS THE SOLE PROPERTY OF VON ARX. EOOD REPRODUCTION IN PART OR WHOLE WITHOUT THE WRITTEN PERMISSION OF VON ARX. EOOD IS PROHIBITED.