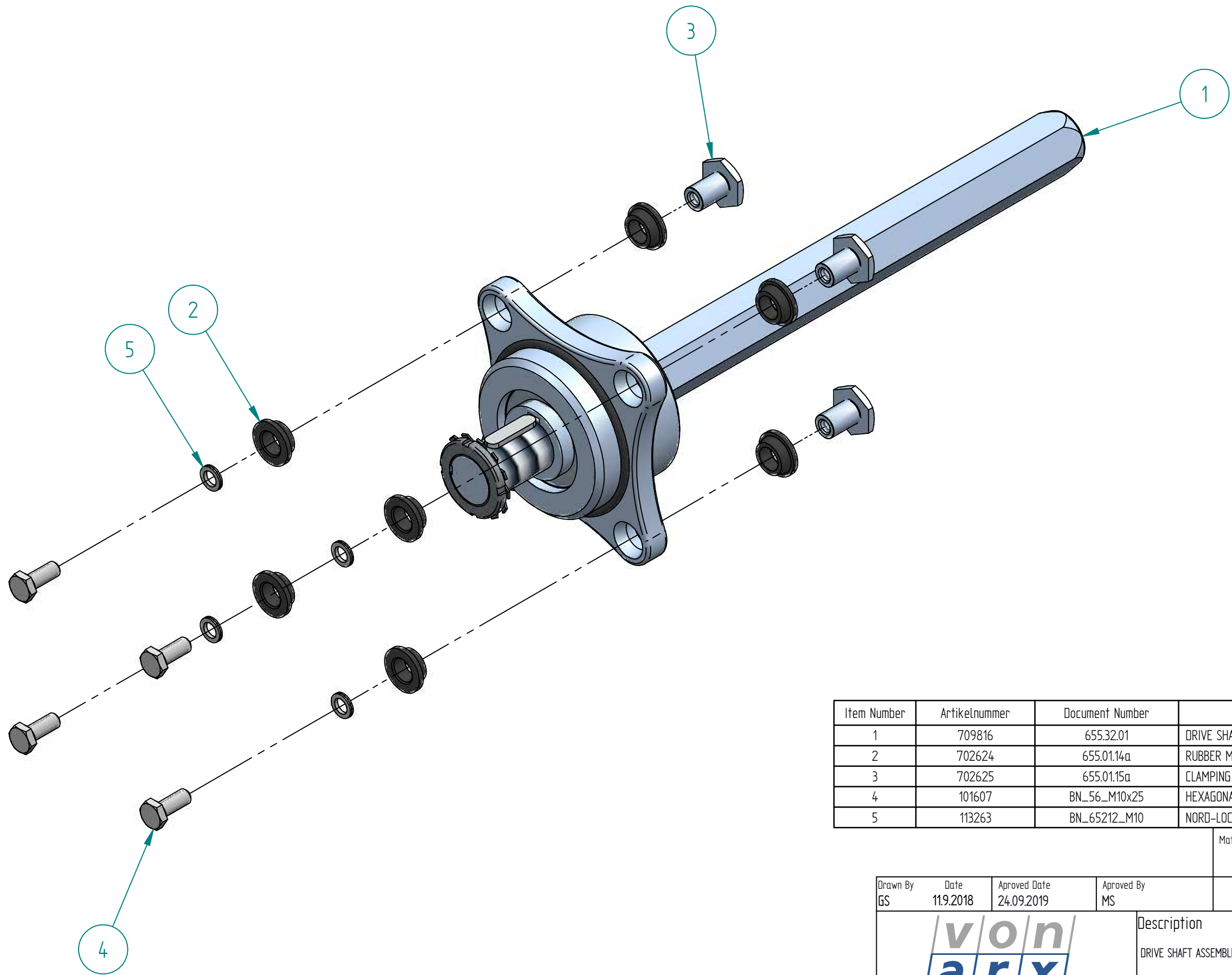


TOLERANCES acc. to ISO / TOLERANSEN enl. ISO
 Applicable where no tolerance is indicated.
 Gäller där tolerans ej direkt utsatts
 For machining / For bearbetning: ISO 2768-mK
 For welding / For svetsning: SS-EN ISO 13920-BF
 Surface finish acc. to ISO 1302 Machined surfaces.
 Ytjämnhet enligt ISO 1302. För bearbetade ytor.



Item Number	Artikelnummer	Document Number	Title	Quantity
1	709816	655.32.01	DRIVE SHAFT PREASSEMBLED	1
2	702624	655.01.14a	RUBBER MOUNTING	8
3	702625	655.01.15a	CLAMPING SLEEVE	4
4	101607	BN_56_M10x25	HEXAGONAL SCREW	4
5	113263	BN_65212_M10	NORD-LOCK LOCKING WASHER	4

Material			Dimension		
Drawn By GS	Date 11.9.2018	Approved Date 24.09.2019	Approved By MS	Units : mm	SIZE A3
		Description DRIVE SHAFT ASSEMBLED VA30-S /		Article Number 702804	
				DWG NO 655.32.00a	
Part/Assembly File 6553200.asm			sheet 1	of 1	Rev. a

THE INFORMATION CONTAINED IN THIS DRAWING IS THE SOLE PROPERTY OF
 VON ARX EOOD REPRODUCTION IN PART OR WHOLE WITHOUT
 THE WRITTEN PERMISSION OF VON ARX EOOD IS PROHIBITED