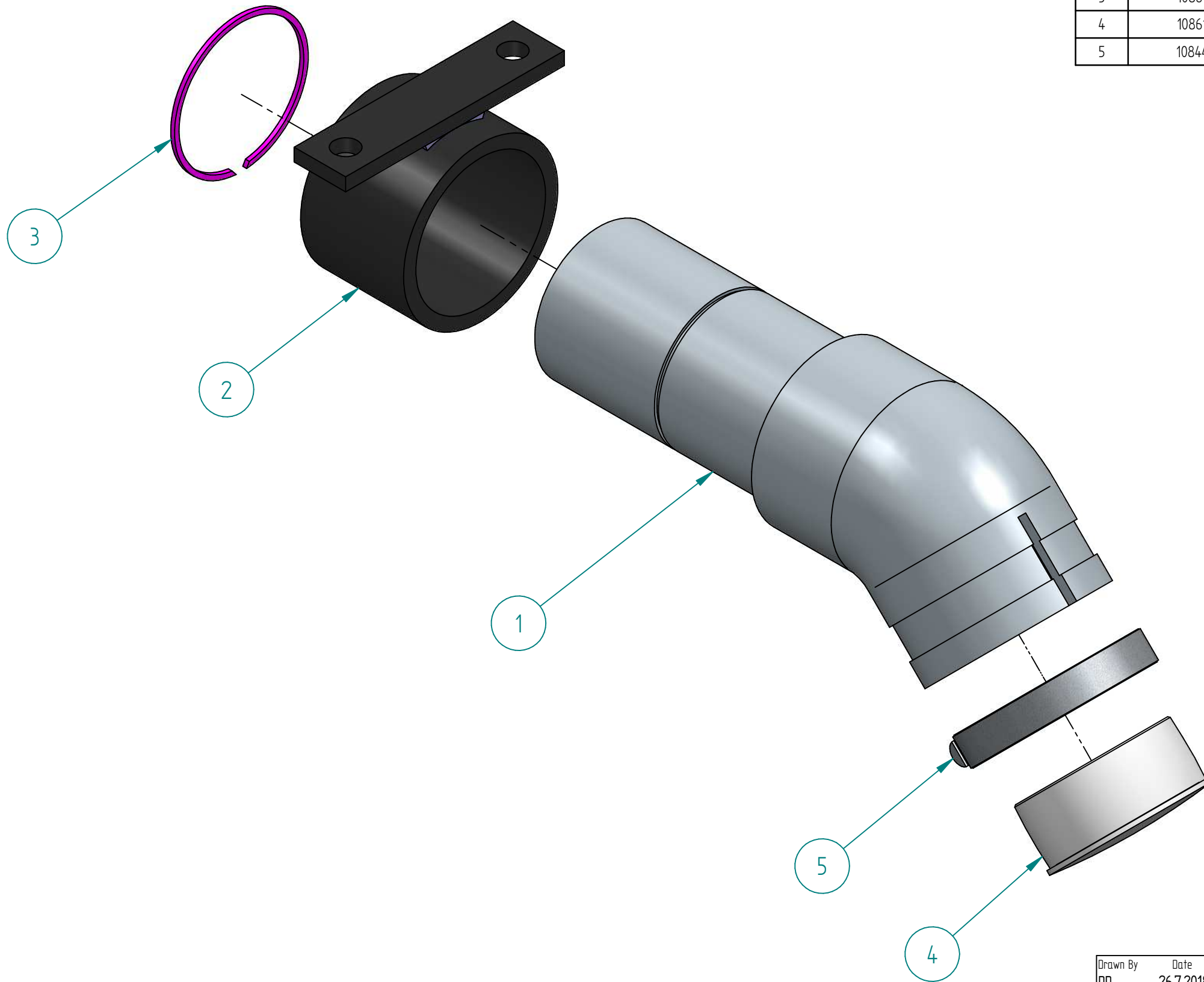

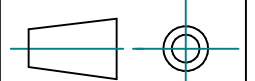


TOLERANCES acc. to ISO / TOLERANSEER enl. ISO
 Applicable where no tolerance is indicated.
 Gäller där tolerans ej direkt utsatts
 For machining / For bearbetning ISO 2768-mK
 For welding / For svetsning SS-EN ISO 13920-BF
 Surface finish acc. to ISO 1302 Machined surfaces.
 Ytjämnhet enligt ISO 1302. För bearbetade ytor.

Item	Artikelnummer	Document Number	Title	Quantity
1	702672	655.04.01	LINK JOINT	1
2	702674	655.04.03a	LINK JOINT	1
3	108615	792.77.33	SEEGER CIRCLIP RING	1
4	108614	BN_1095-M5x2	PROTECTION BOTTER	1
5	108445	792.64.92	HOSE CLAMP	1



THE INFORMATION CONTAINED IN THIS DRAWING IS THE SOLE PROPERTY OF
 VON ARX EOOD REPRODUCTION IN PART OR WHOLE WITHOUT
 THE WRITTEN PERMISSION OF VON ARX EOOD IS PROHIBITED

Material		Dimension	
Units : mm	SIZE A3		
Drawn By DD	Date 26.7.2018	Approved Date 25.10.2019	Approved By MS
		Description LINK JOINT	Article Number 702653
		DWG NO 655.04.10	
Part/Assembly File 6550410.asm		sheet 1	of 1
			Rev.