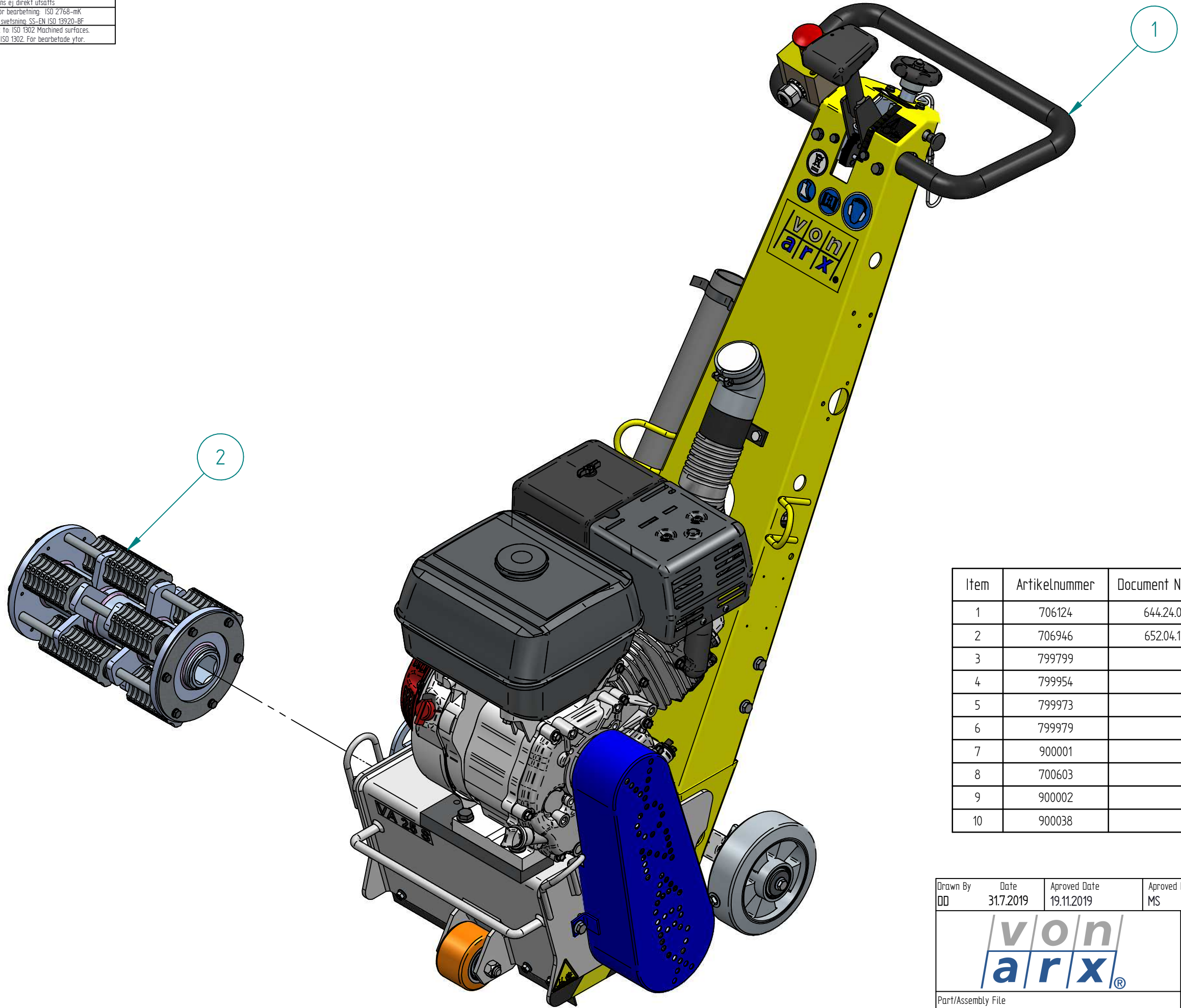

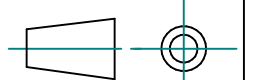


TOLERANCES acc. to ISO / TOLERANSER enl. ISO
 Applicable where no tolerance is indicated.
 Gäller där tolerans ej direkt utsatts
 For machining / För bearbetning: ISO 2768-mK
 For welding / För svetsning: SS-EN ISO 13920-BF
 Surface finish acc. to ISO 1302 Machined surfaces.
 Ytjämnhet enligt ISO 1302. För bearbetade ytor.



| Item | Artikelnummer | Document Number | Title | Quantity |
|------|---------------|-----------------|-----------------------------------|----------|
| 1 | 706124 | 644.24.00 | VA 25 S WITH GASOLINE MOTOR H0 | 1 |
| 2 | 706946 | 652.04.17 | DRUM WITH HEXAGONAL CUTTERS 54 | 1 |
| 3 | 799799 | | EU - ATTENTION OF CONFORMITY | 1 |
| 4 | 799954 | | BROCHURE: QUALITY PRODUCTS | 1 |
| 5 | 799973 | | OPERATING MANUAL VA25S | 1 |
| 6 | 799979 | | WARRANTY CARD FR | 1 |
| 7 | 900001 | | NAYLON BAG WITH TIE 300 X 470mm | 1 |
| 8 | 700603 | | TUBE MOLYKOTE BR2 PLUS | 0.01 |
| 9 | 900002 | | EURO PALLET 120/80 | 1 |
| 10 | 900038 | | CARTON BOX FOR PALLET 119x79x120h | 1 |

| | | | |
|---|-------------------|---|--------------------------|
| Material | | Dimension | |
| Units : mm | SIZE A3 | | |
| Drawn By DD | Date 31.7.2019 | Approved Date 19.11.2019 | Approved By MS |
|  | | Description VA 25 S WITH GASOLINE ENGINE H | Article Number 707335 |
| | | DWG NO 644.24.17 | |
| Part/Assembly File 6442417.asm | | sheet 1 | of 1 |
| | |  | |
| | | Rev. | |

THE INFORMATION CONTAINED IN THIS DRAWING IS THE SOLE PROPERTY OF
 VON ARX EOOD. REPRODUCTION IN PART OR WHOLE WITHOUT
 THE WRITTEN PERMISSION OF VON ARX EOOD IS PROHIBITED.