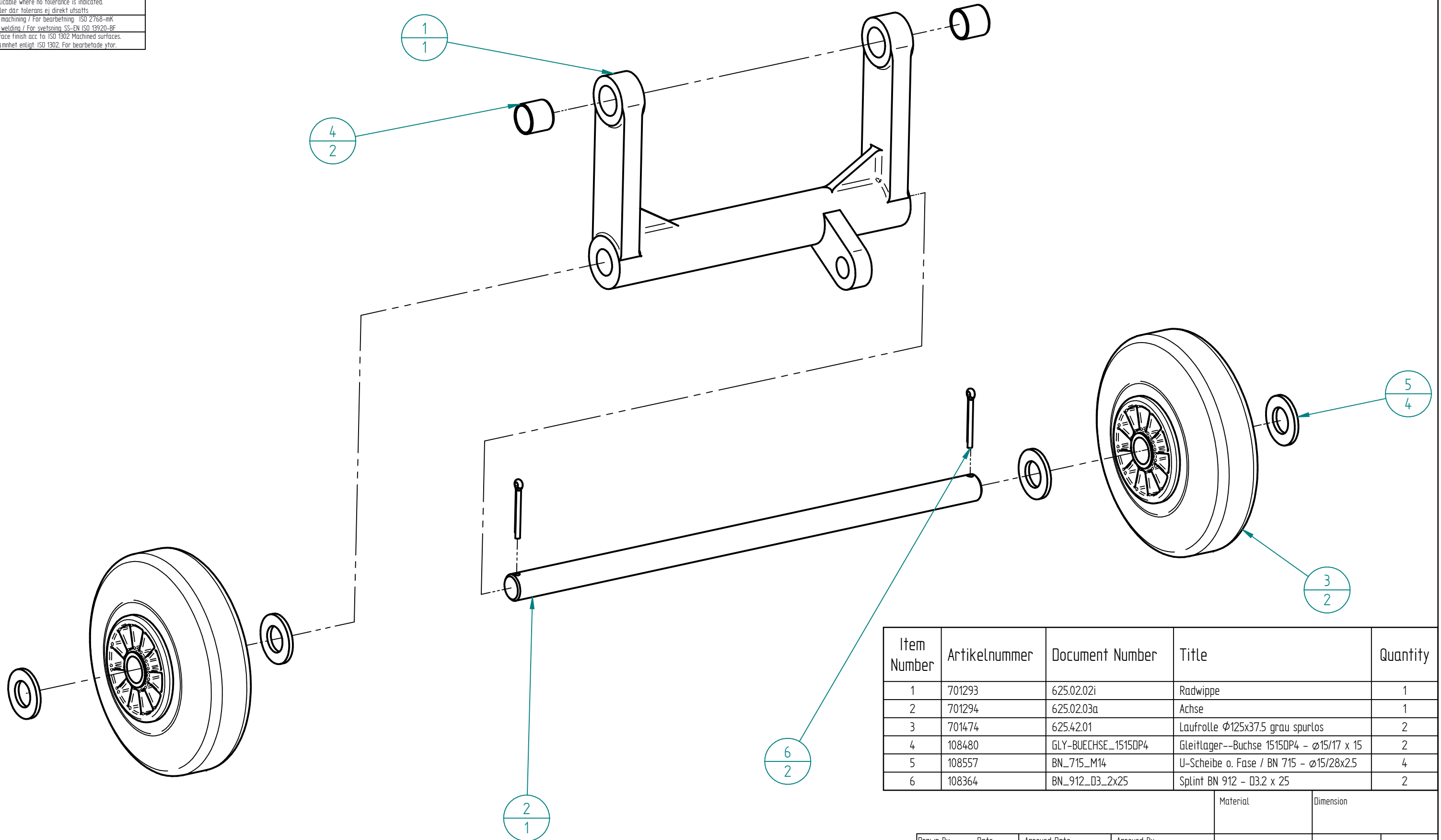


TOLERANCES acc. to ISO / TOLERANSER enl. ISO
 Applicable where no tolerance is indicated.
 Gäller där tolerans ej direkt utsatts
 For machining / For bearbetning: ISO 2768-mK
 For welding / For svetsning: SS-EN ISO 13920-BF
 Surface finish acc. to ISO 1302. Machined surfaces.
 Ytjämnhet enligt ISO 1302. För bearbetade ytor.



Item Number	Artikelnummer	Document Number	Title	Quantity
1	701293	625.02.02i	Radwippe	1
2	701294	625.02.03a	Achse	1
3	701474	625.42.01	Laufrolle $\Phi 125 \times 37.5$ grau spurlos	2
4	108480	GLY-BUECHSE_1515DP4	Gleitlager--Buchse 1515DP4 - $\phi 15/17 \times 15$	2
5	108557	BN_715_M14	U-Scheibe o. Fase / BN 715 - $\phi 15/28 \times 2.5$	4
6	108364	BN_912_D3_2x25	Splint BN 912 - $\text{D}3.2 \times 25$	2

Material		Dimension	
Drawn By mheer	Date 16.7.2018	Approved Date	Approved By
Units : mm		SIZE A3	
		Description Radwippe vormont. FR 200	Article Number 701468
		DWG NO 625.37.00	
Part/Assembly File 6253700.asm		sheet 1	of 1
			Rev.