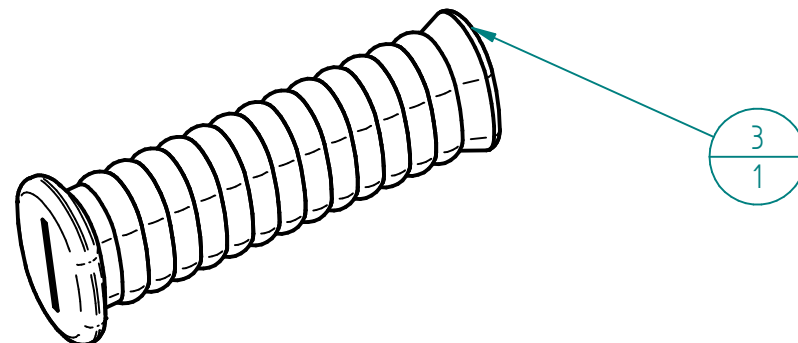
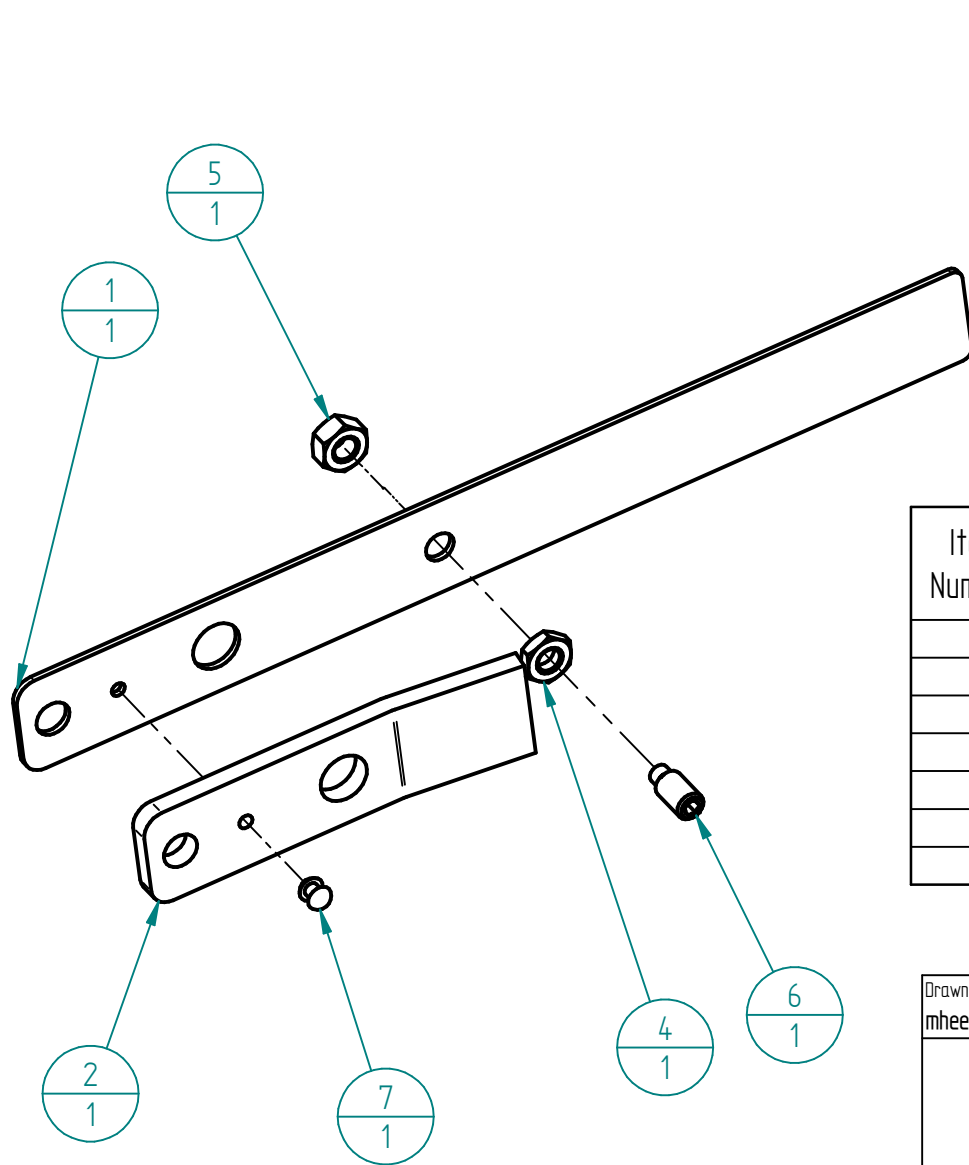


TOLERANCES acc. to ISO / TOLERANSEER enl. ISO
 Applicable where no tolerance is indicated.
 Gäller där tolerans ej direkt utsatts
 For machining / För bearbetning: ISO 2768-mK
 For welding / För svetsning: SS-EN ISO 13920-BF
 Surface finish acc. to: ISO 1302 Machined surfaces.
 Ytjämnhet enligt: ISO 1302. För bearbetade ytor.



Item Number	Artikelnummer	Document Number	Title	Quantity
1	701297	625.02.06/3d	Verstellhebel	1
2	701298	625.02.07/4c	Hebelsicherung	1
3	109356	109356	Kunststoffgriff FE03 dgφ21	1
4	110364	BN_124_M8	Sechskantmuttern M8 x 0,5 d BN 124	1
5	101822	BN_117_M8	6Kt.-Mutter M8 x 0,8d - BN 117	1
6	108126	BN_26_M8x18	Gew.-Stift In-6Kt. / Zapfen - M8x18 / BN 26	1
7	108146	BN_922_4x12,2	BLIND RIVET DOME HEAD 4 x 12,2	1

Material		Dimension	
Drawn By mheer	Date 16.7.2018	Approved Date	Approved By
Units : mm		SIZE A4	
		Description Verstellhebel vormont. FR 200	Article Number 701465
		DWG NO 625.34.00	
Part/Assembly File 62534.00.asm		sheet 1	of 1
			Rev.