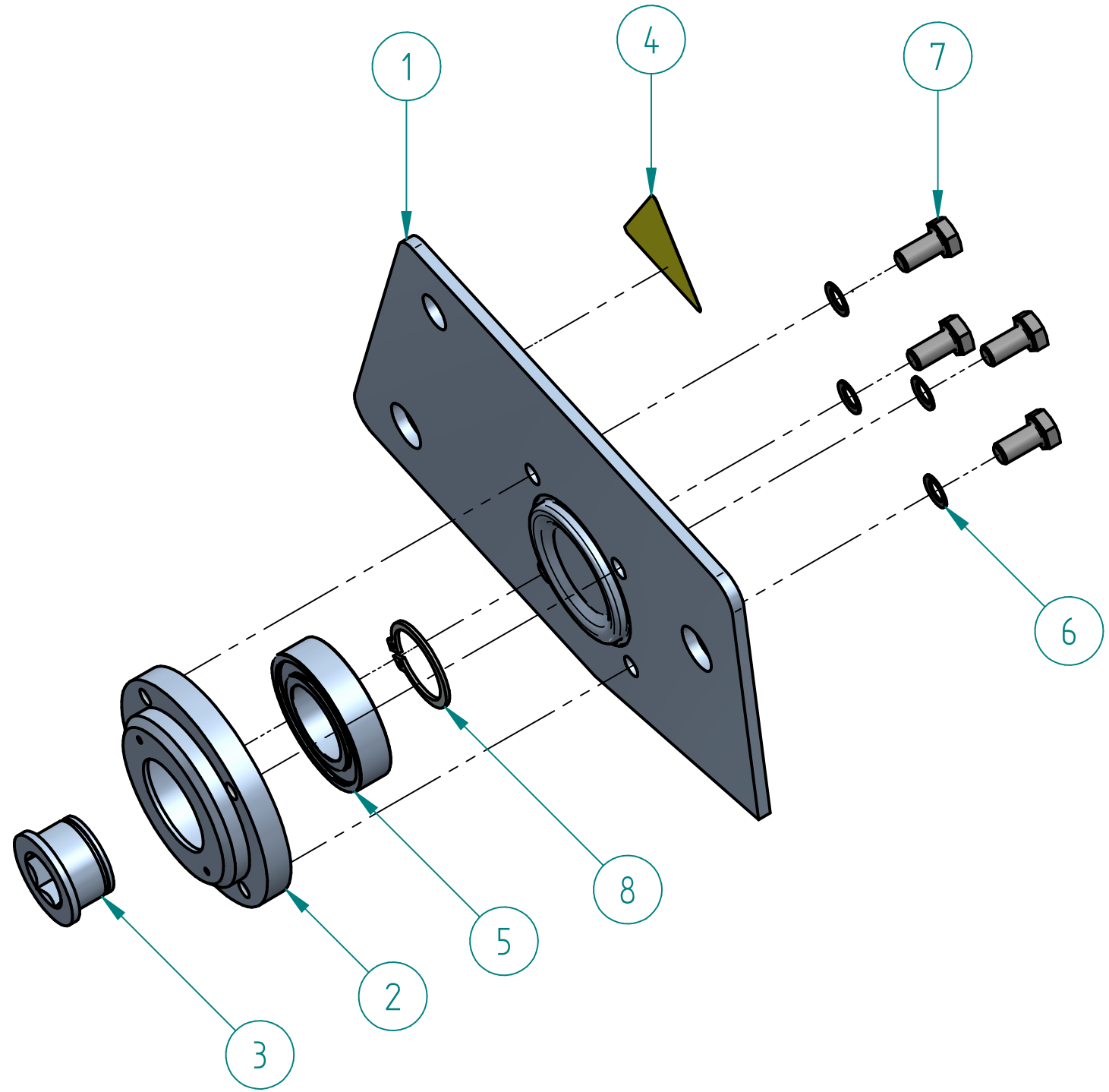


TOLERANCES acc. to ISO / TOLERANSEN enl. ISO  
 Applicable where no tolerance is indicated.  
 Gäller där tolerans ej direkt utsatts  
 For machining / För bearbetning: ISO 2768-mK  
 For welding / För svetsning: SS-EN ISO 13920-BF  
 Surface finish acc. to ISO 1302 Machined surfaces.  
 Ytjämnhet enligt ISO 1302 För bearbetade ytor.



Item Number	Artikelnummer	Document Number	Title	Quantity
1	701400	625.08.01d	COVER FR 200	1
2	701401	625.08.02g	BEARING FLANGE	1
3	701265	625.01.05d	DRIVING BUSH FR200	1
4	111339	625.00.04	STICKER "WARNING CUTTER SHAFT"	1
5	108251	Kugellager_6006-2RS	BALL BEARING SKF-POP	1
6	102286	BN_792_M8	SAFETY WASHER	4
7	101599	BN_56_M8x16	HEXAGONAL SCREW	4
8	107351	BN_819_D30	SAFETY RING	1
9	111727		STRIPE BAND -DANGER-	0.3

Material		Dimension	
Drawn By mheer	Date 16/07/2018	Approved Date 28.01.2020	Approved By MS
Units : mm		SIZE A3	
		Description HOUSING COVER ASSEMBLED FR 200	Article Number 701460
		DWG NO 625.31.00a	
Part/Assembly File 6253100.asm		sheet 1	of 1
			Rev. a

THE INFORMATION CONTAINED IN THIS DRAWING IS THE SOLE PROPERTY OF  
 VON ARX EOOD REPRODUCTION IN PART OR WHOLE WITHOUT  
 THE WRITTEN PERMISSION OF VON ARX EOOD IS PROHIBITED